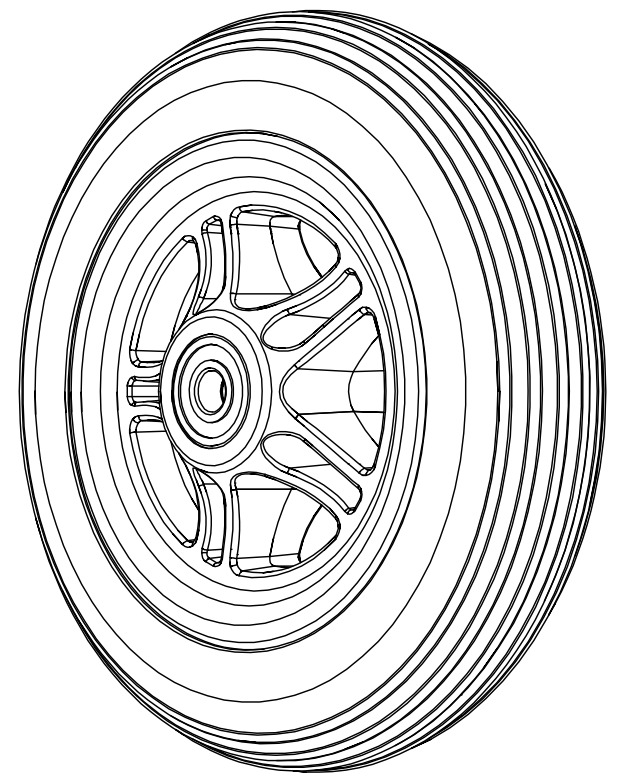
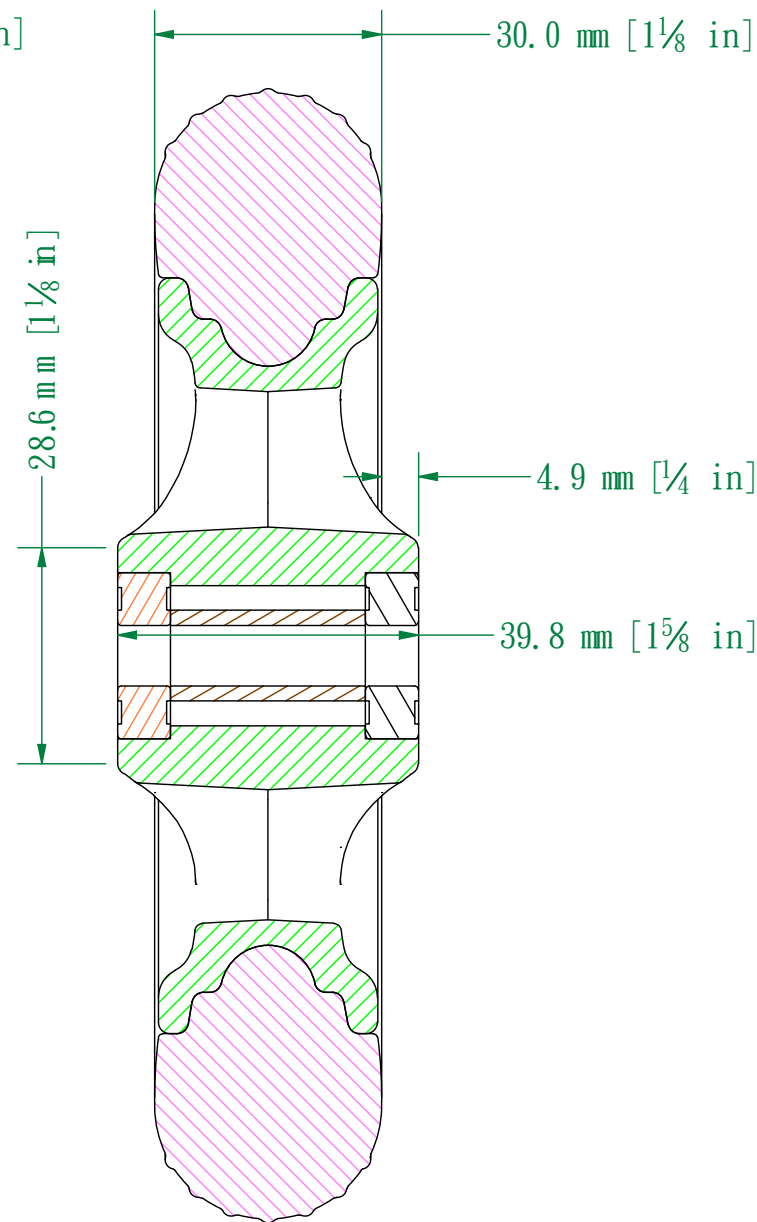
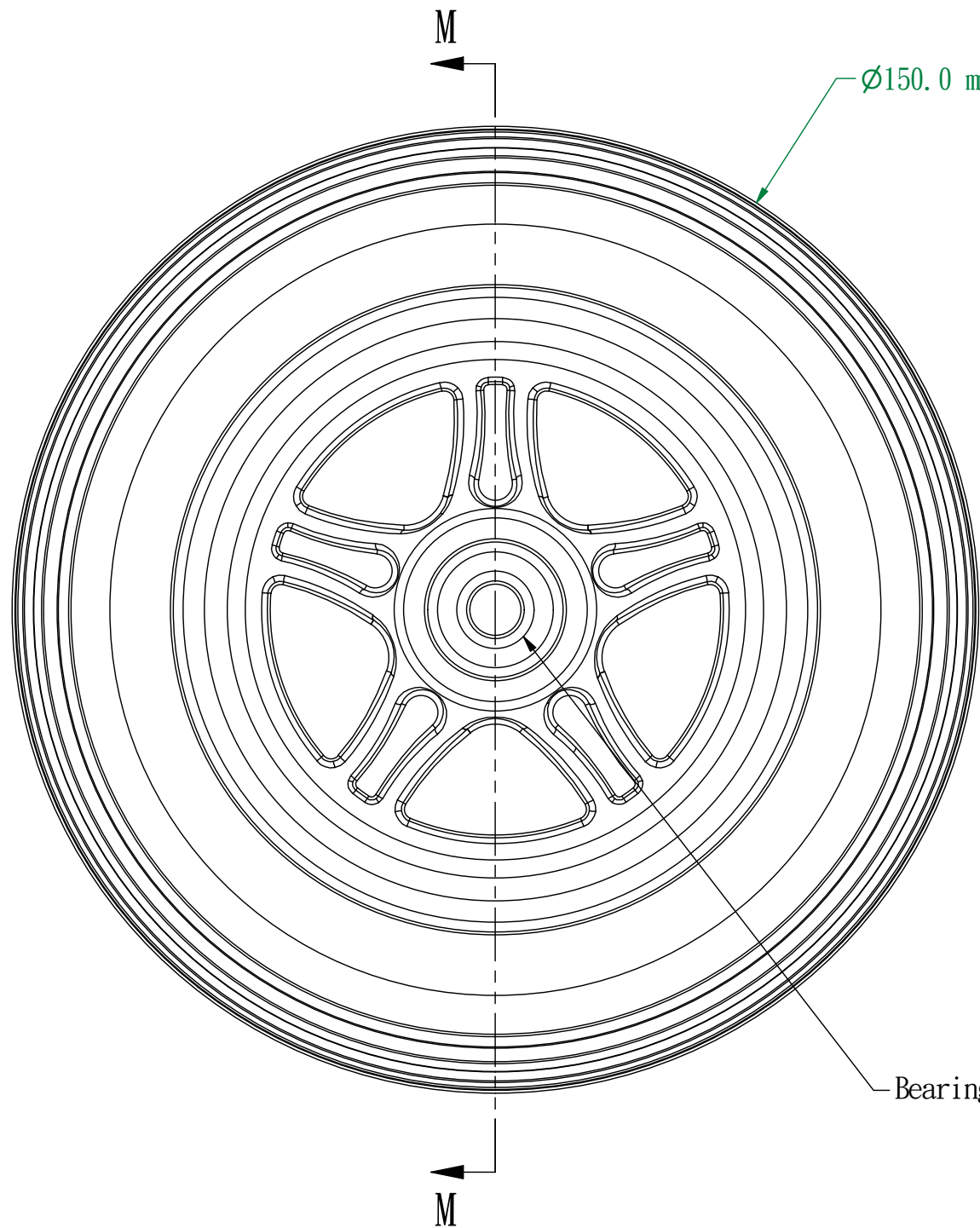


REVISION HISTORY				
ZONE	REV	DESCRIPTION	DATE	APPROVED
	1		2018/11/28	Sonny



SECTION M-M
SCALE 1 : 1

This drawing is our property it can't be reproduced or communicated without our written agreement.		日飛騰企業有限公司		
DRAWN Sonny		PROJECT NAME		
2018/6/28		DWG NO		
DESIGN Sonny		W614.iam		
CHECK		DESCRIPTION CATIA V5 STEP Exchange		SIZE A3
APPROVED		ERP NO:	MATERIAL	VIEW
				VIEW
				SHEET 8 OF 18