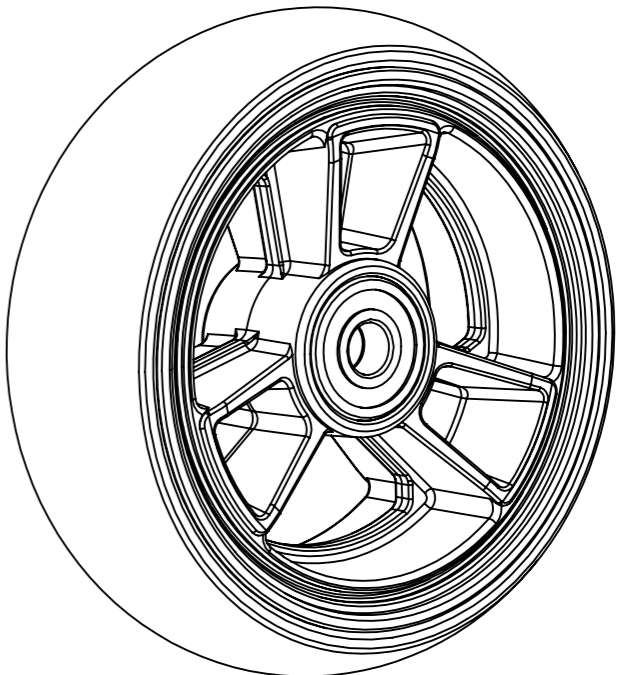
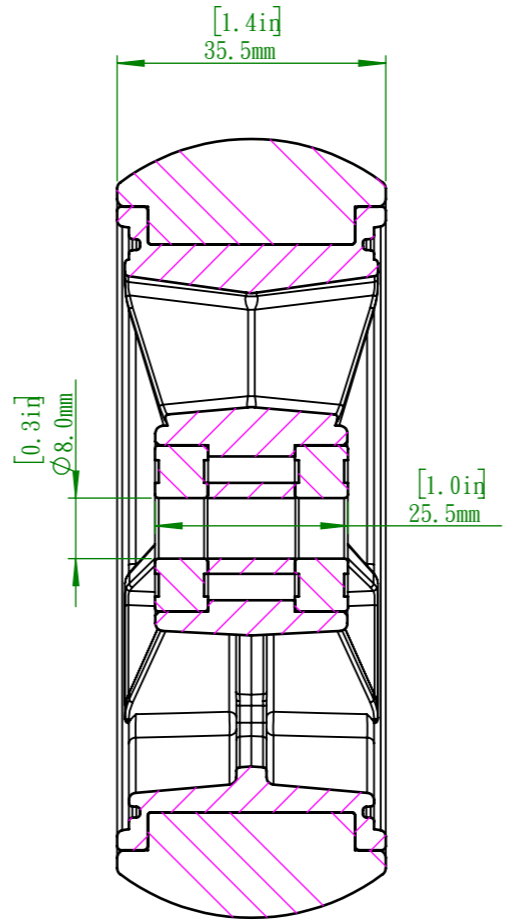
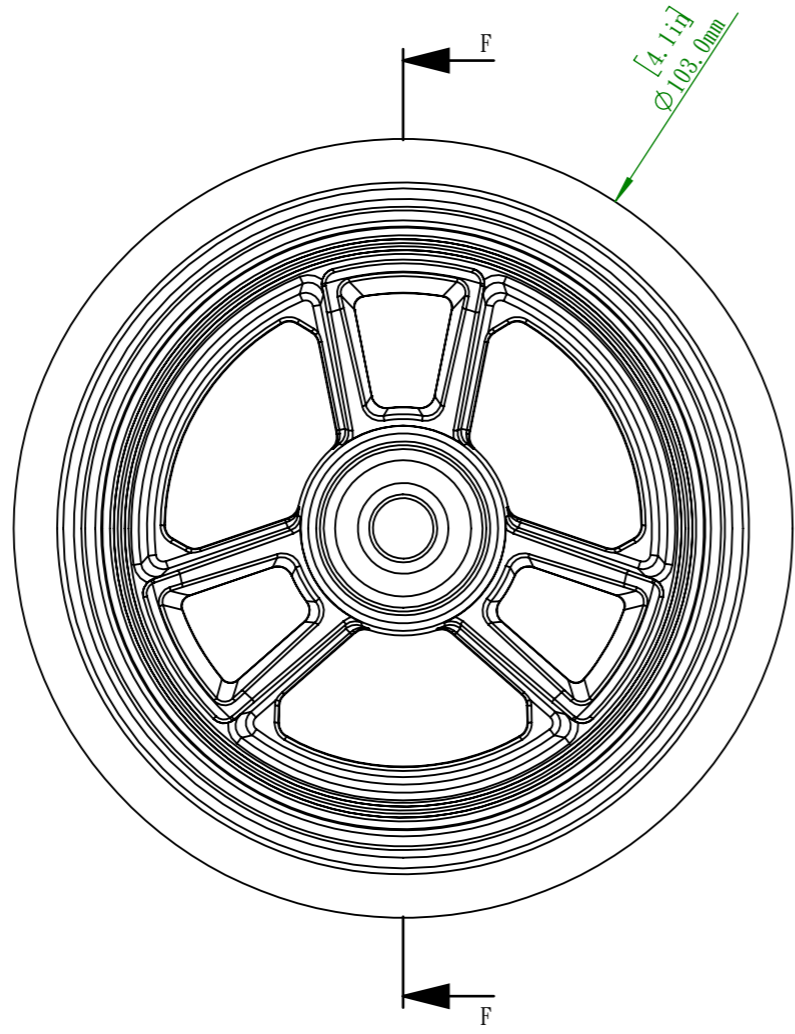
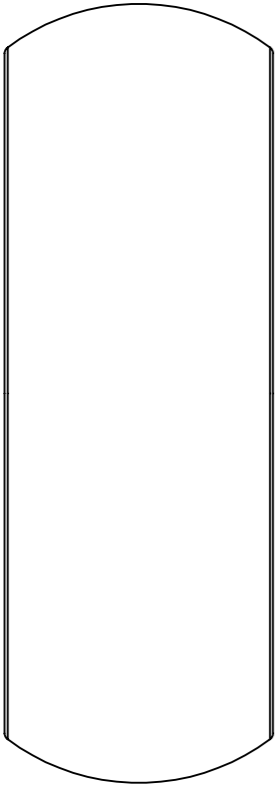


REVISIONS				
ZONE	REV.	DESCRIPTION	DATE	APPROVED
-	1.0	-	2023/11/10	Sonny



SECTION F-F

Material:		This drawing is our property it can't be reproduced or communicated without our written agreement.	Description:	
Finish:			Drawn by:	Drawn Date:
Unless Otherwise Stated: All Dimensionsmm		ERP No.	Checked/Approved by:	
Drawing Scale: 1:1		Company Confidential		Checked/Approved Date:
Approx Weight: g	Note:	Legal Owner:		Part Number: RNW-ASM-434-A01
Projection Method: THIRD ANGLE	Sheet Size: A3	Ri Fei Ten Co., LTD		Drawing Number:
				Sheet: 2 of 4
				Revision: