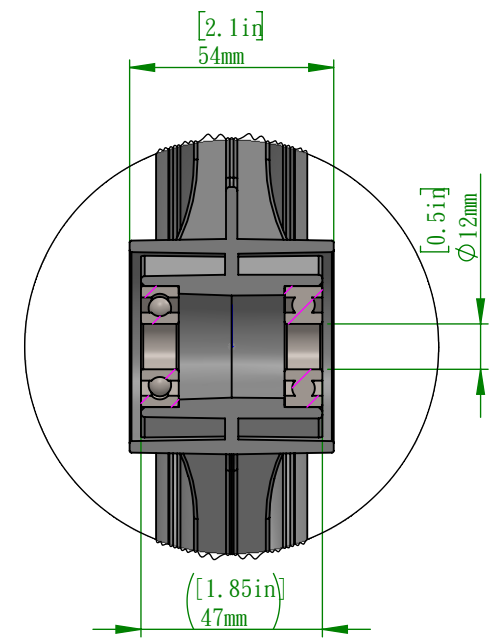
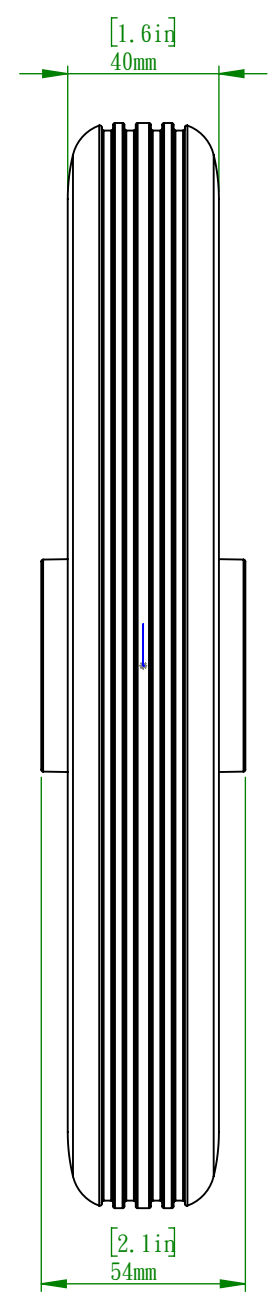
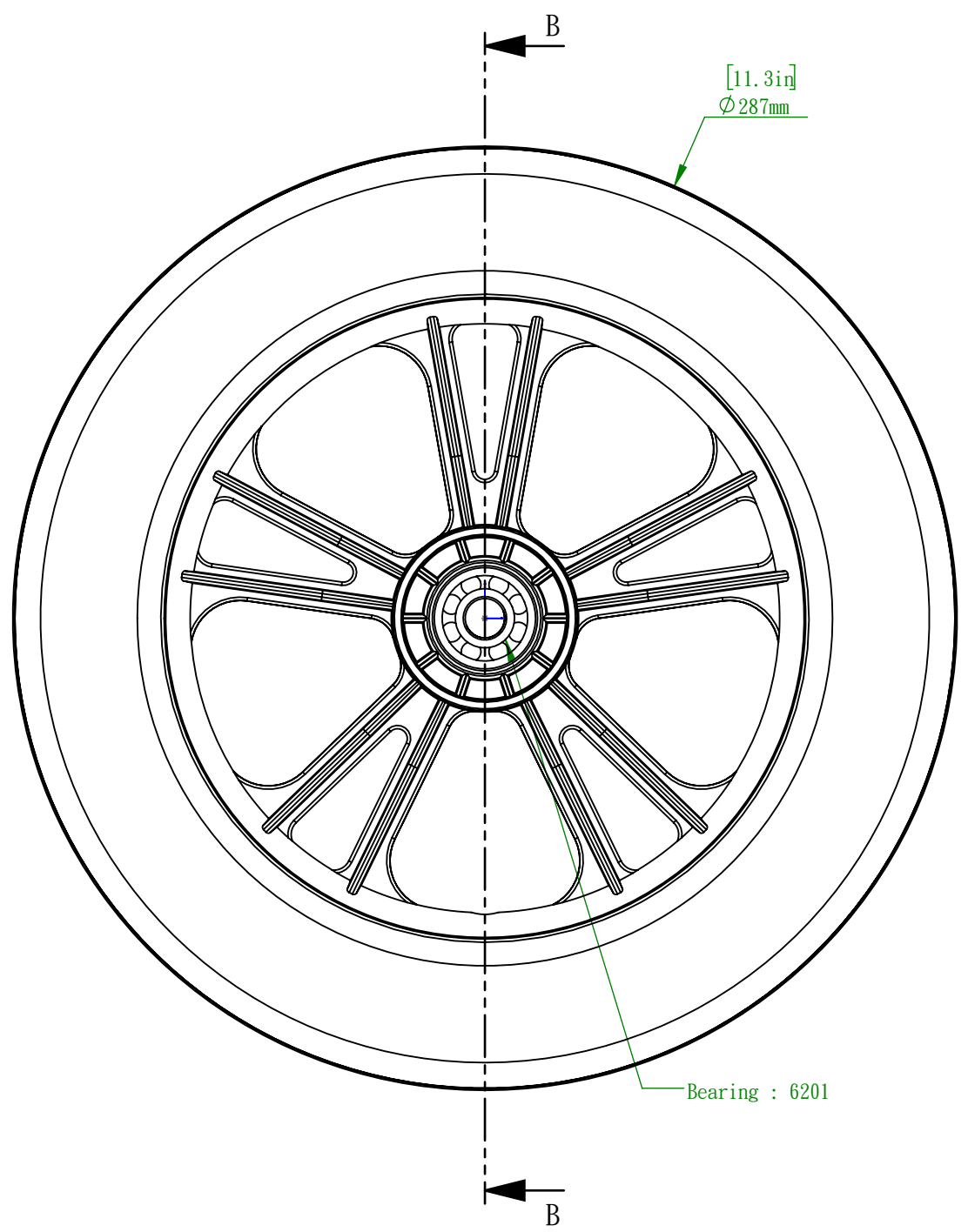
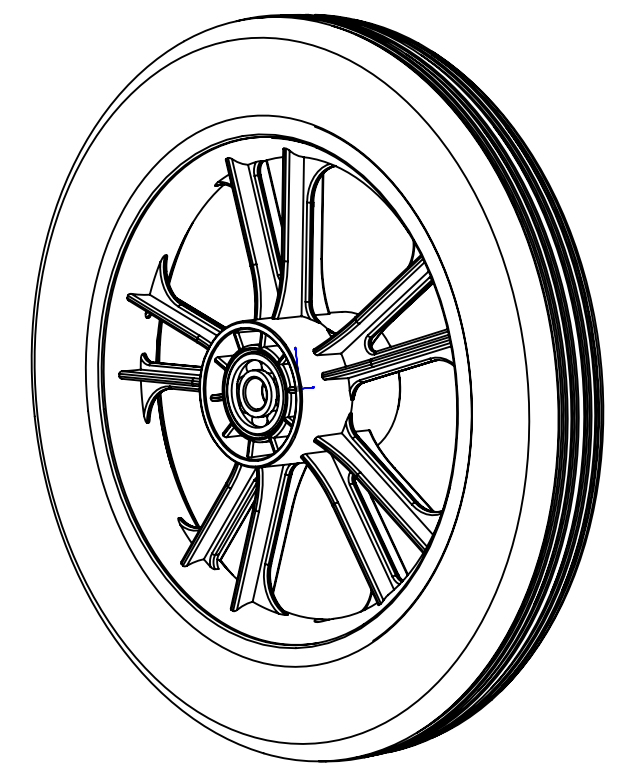


1 2 3 4 5 6 7 8

A
B
C
D
E
F



DETAIL C



REVISIONS				
ZONE	REV.	DESCRIPTION	DATE	APPROVED
-	1.2	-	2021/09/16	Sonny

Material:		This drawing is our property it can't be reproduced or communicated without our written agreement.	Description:	
Finish:			Drawn by:	Drawn Date:
Unless Otherwise Stated: All Dimensions: mm		ERP No.	Checked/Approved by:	
Drawing Scale: 1:2		Company Confidential		Checked/Approved Date:
Approx Weight: g	Note :	Legal Owner:	Part Number: XS-W125-6201	
Projection Method: THIRD ANGLE	Sheet Size: A3	日飛騰企業有限公司		Drawing Number:
				Sheet: 2 of 3
				Revision:

1 2 3 4 5 6 7 8