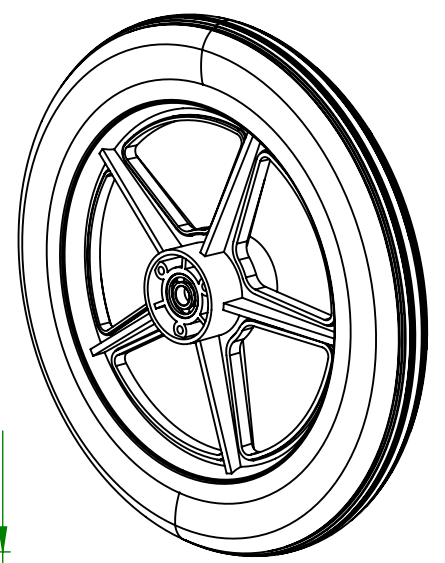
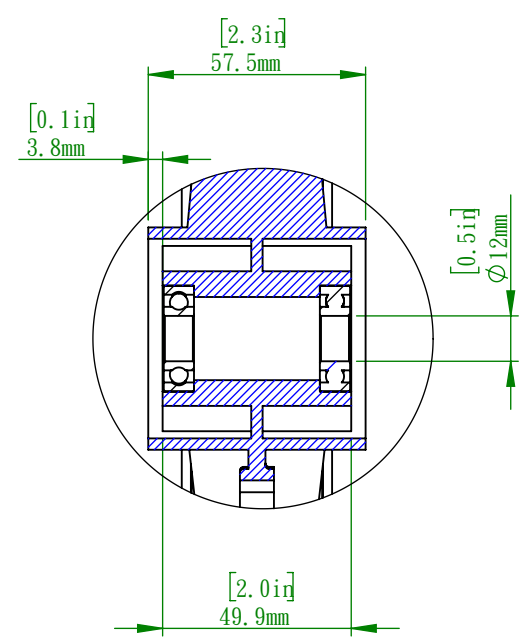
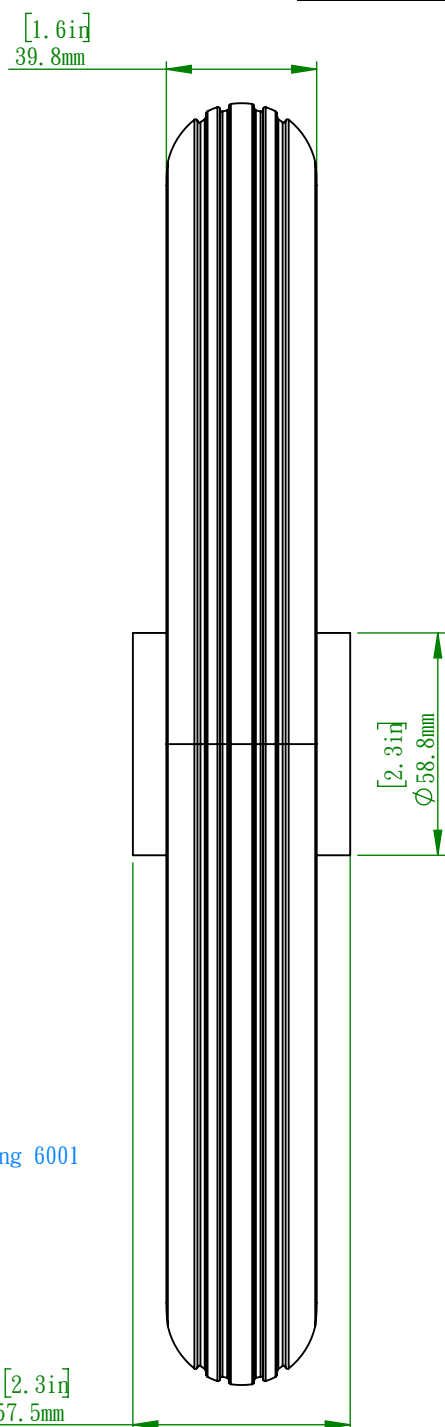
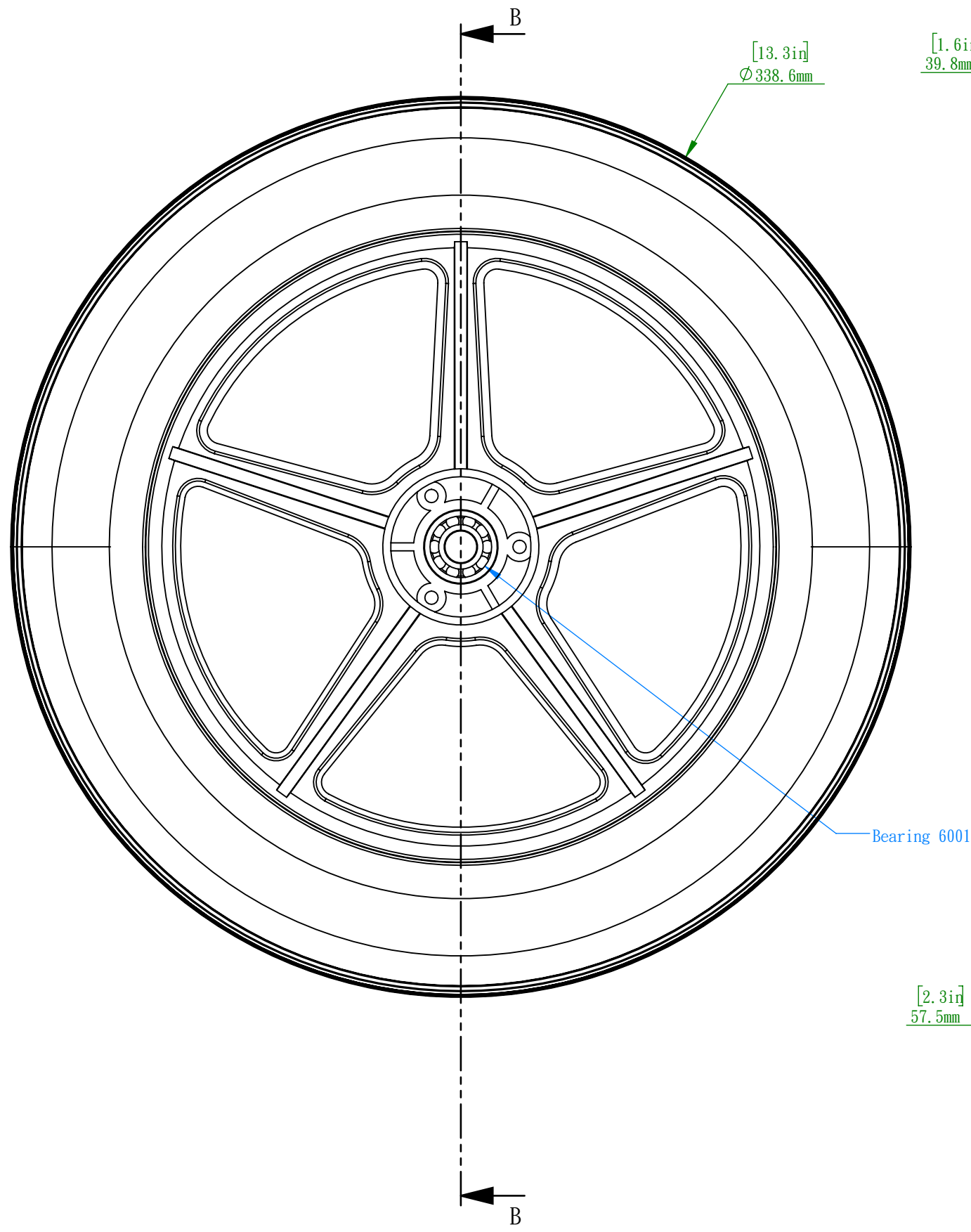


REVISIONS				
ZONE	REV.	DESCRIPTION	DATE	APPROVED
	1.0		20201/03/31	Sonny



Material:		This drawing is our property it can't be reproduced or communicated without our written agreement.	Description:	
Finish:			Drawn by:	Drawn Date:
Unless Otherwise Stated: All Dimensions: mm		Document Type:	Checked/Approved by:	
Drawing Scale: 1:2		Company Confidential		Checked/Approved Date:
Approx Weight: g	Note :	Legal Owner:		Part Number:
Projection Method: THIRD ANGLE	Sheet Size: A3	日飛騰企業有限公司		XS-14in-5 Spoke
				Drawing Number:
				Sheet: 1 of 1
				Revision: