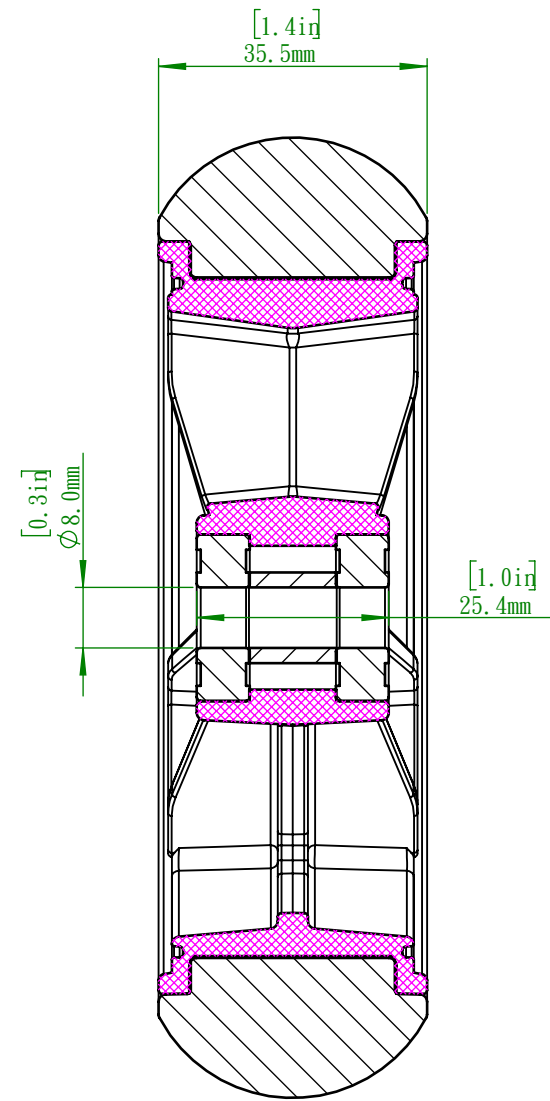
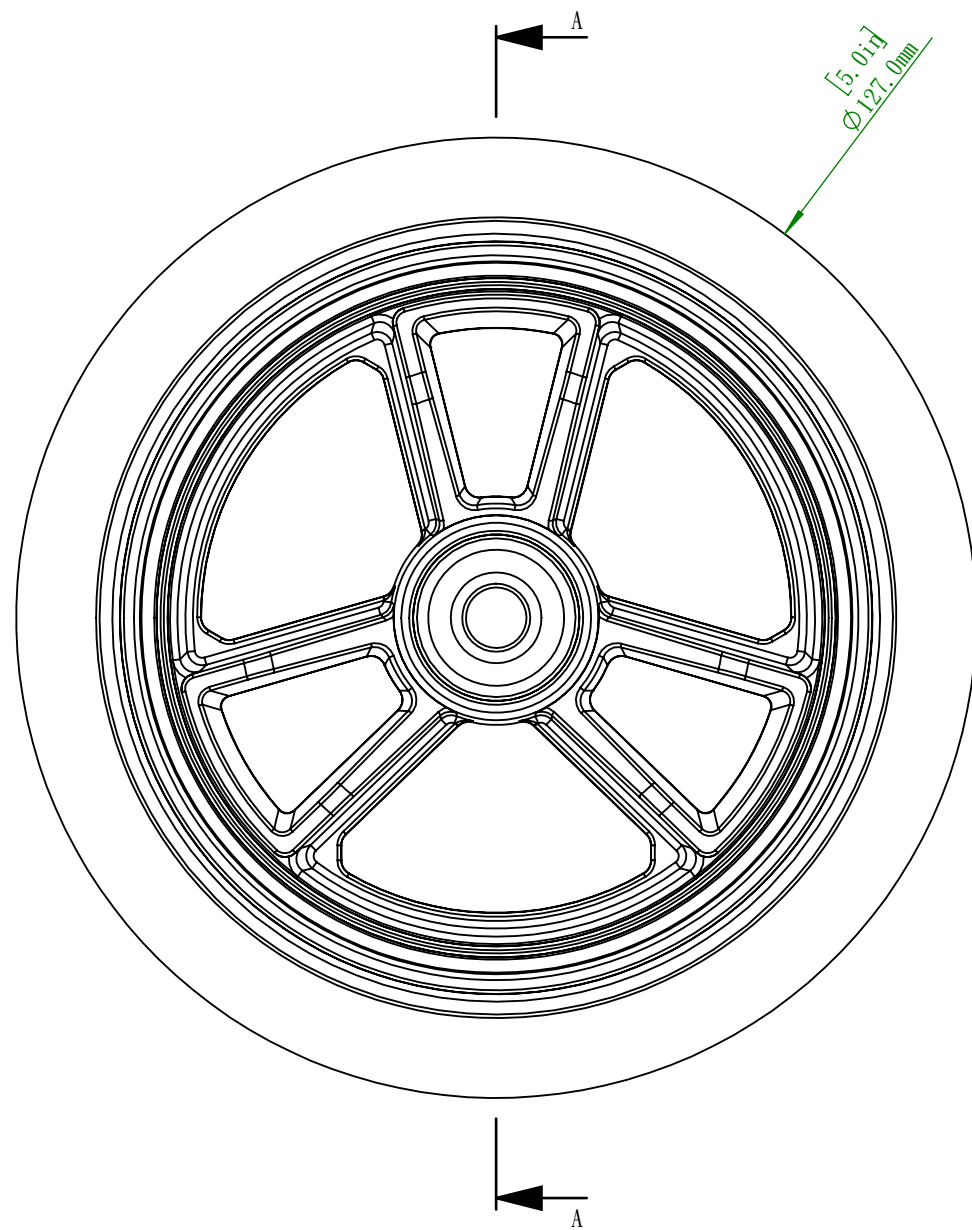
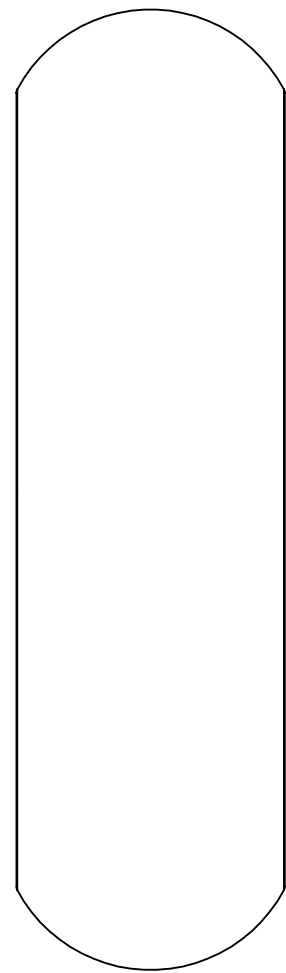
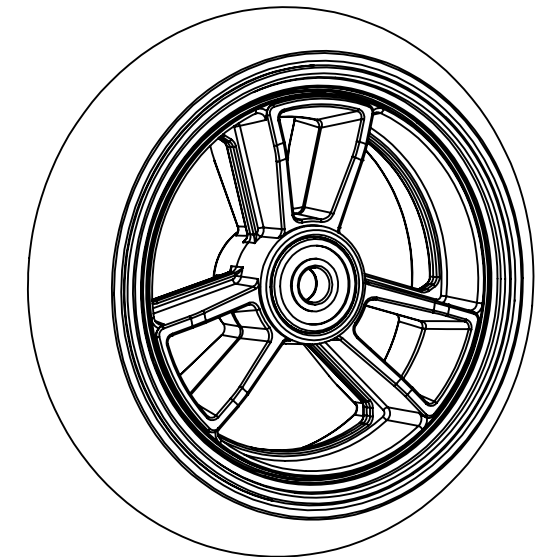


REVISIONS				
ZONE	REV.	DESCRIPTION	DATE	APPROVED
	1.0		2023/11/10	Sonny



SECTION A-A



Material:		This drawing is our property it can't be reproduced or communicated without our written agreement.	Description:	
Finish:			Drawn by:	Drawn Date:
Unless Otherwise Stated: All Dimensionsmm		ERP No.	Checked/Approved by:	Checked/Approved Date:
Drawing Scale: 1:1		Company Confidential		
Approx Weight: g	Note:	Legal Owner:	Part Number: RNW-ASM-534-A01	
Projection Method: THIRD ANGLE	Sheet Size: A3	Ri Fei Teng Co., LTD	Drawing Number:	Sheet: 1 of 4 Revision: