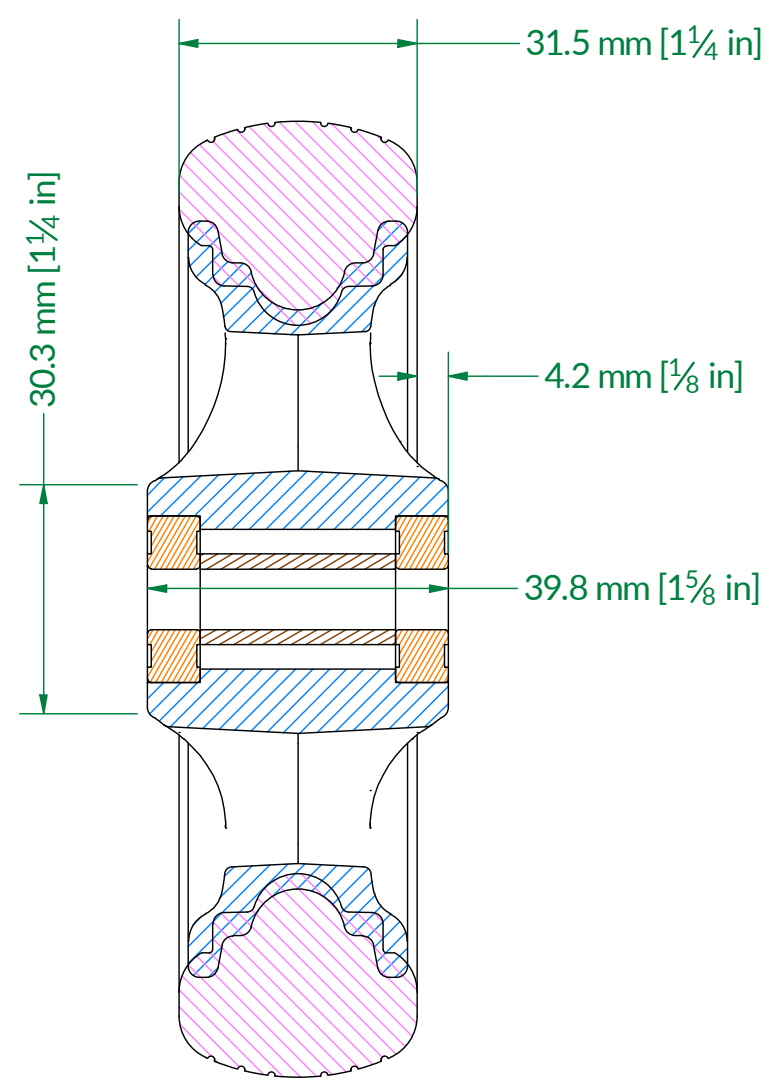
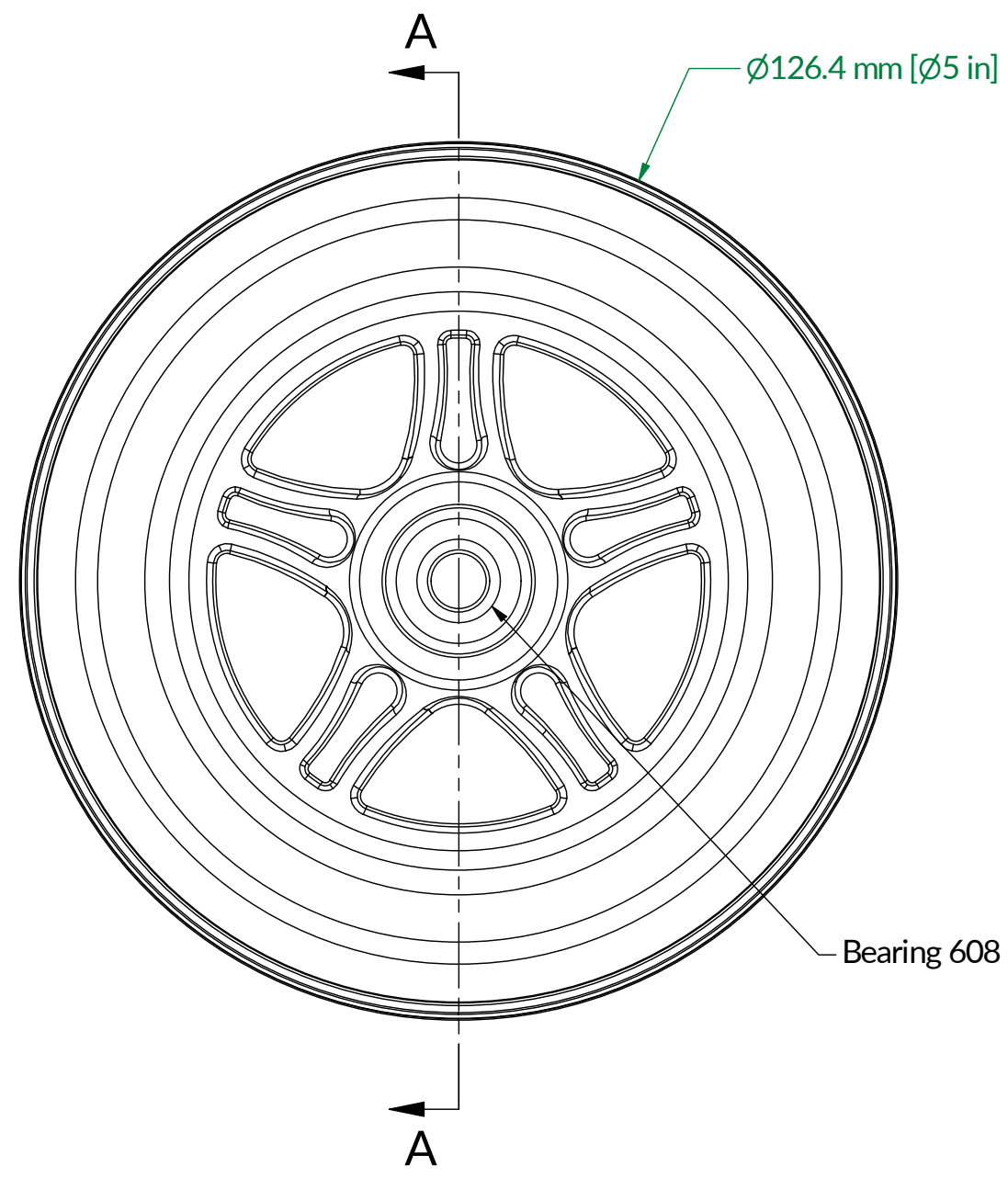
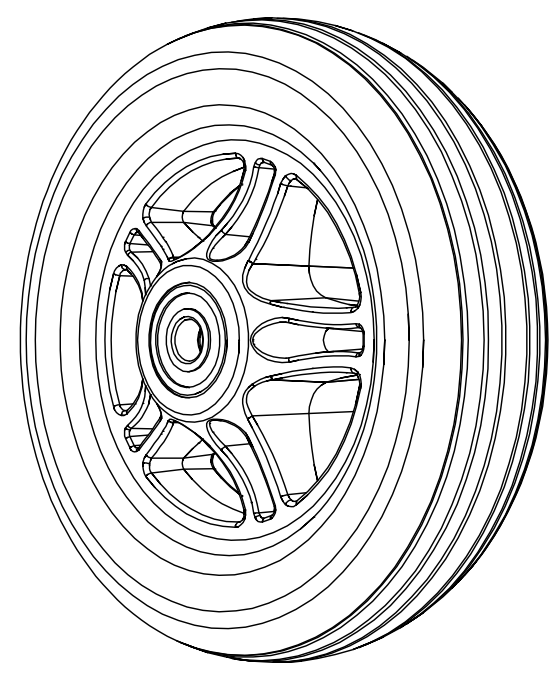


REVISION HISTORY

ZONE	REV	DESCRIPTION	DATE	APPROVED
	1		2018/11/2	



SECTION A-A  
SCALE 1 : 1



This drawing is our property it can't be reproduced or communicated without our written agreement.

日飛騰企業有限公司

DRAWN marcy	2018/6/28
DESIGN marcy	
CHECK	
APPROVED	

PROJECT NAME			
DWG NO		W514.iam	
DESCRIPTION		SIZE	REV
ERP NO:		A3	
MATERIAL	VIEW	SHEET 7 OF 8	

