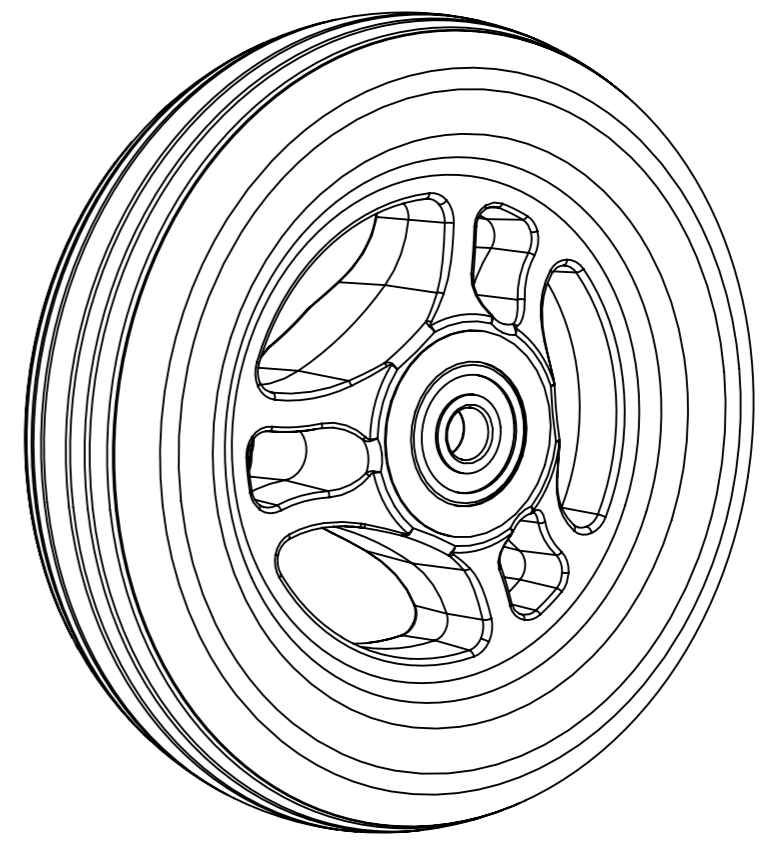
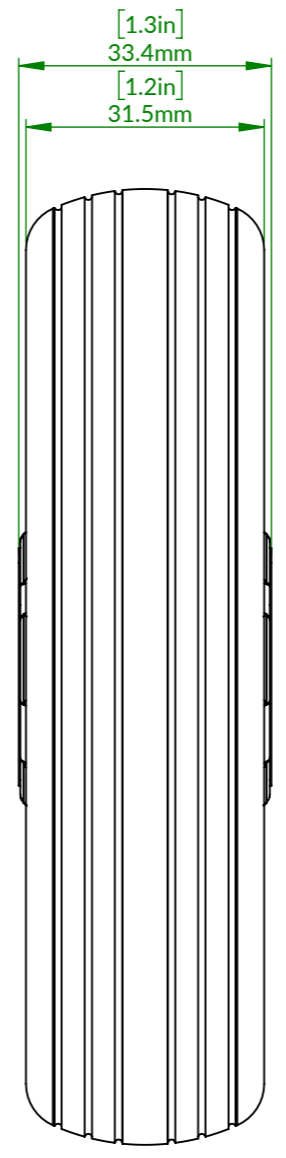
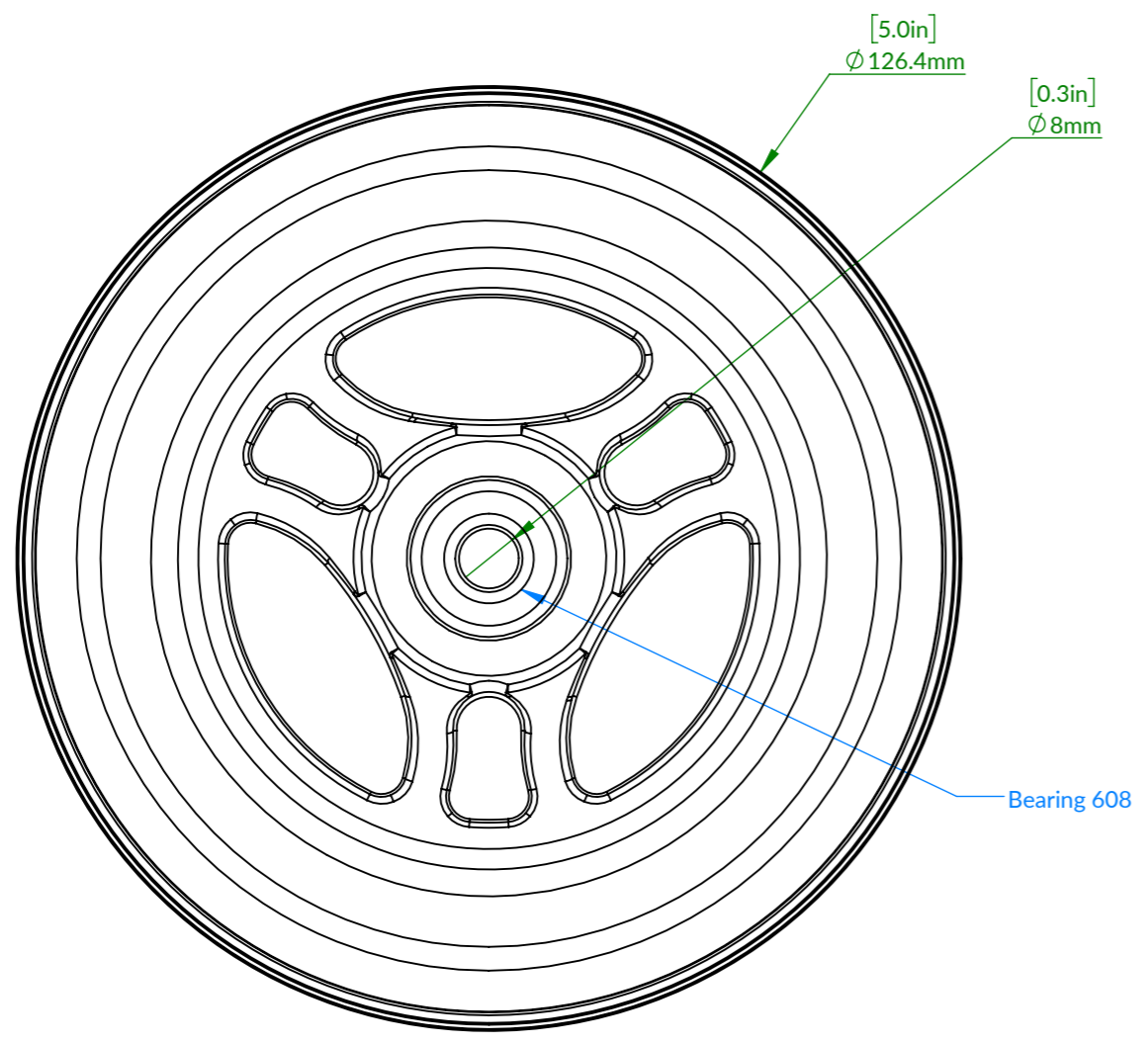


ZONE	REV.	DESCRIPTION	DATE	APPROVED
-	1.0	-	2018/07/02	Marcy



Material:		This drawing is our property it can't be reproduced or communicated without our written agreement.	Description:	
Finish:			Drawn by:	Drawn Date:
Unless Otherwise Stated: All Dimensions: mm		ERP No.	Checked/Approved by:	Checked/Approved Date:
Drawing Scale: <b>1:1</b>		Company Confidential		
Approx Weight: g	Note:	Legal Owner:	Part Number: W513	
Projection Method: THIRD ANGLE	Sheet Size: A3	日飛騰企業有限公司	Drawing Number:	Sheet: 2 of 2 Revision: