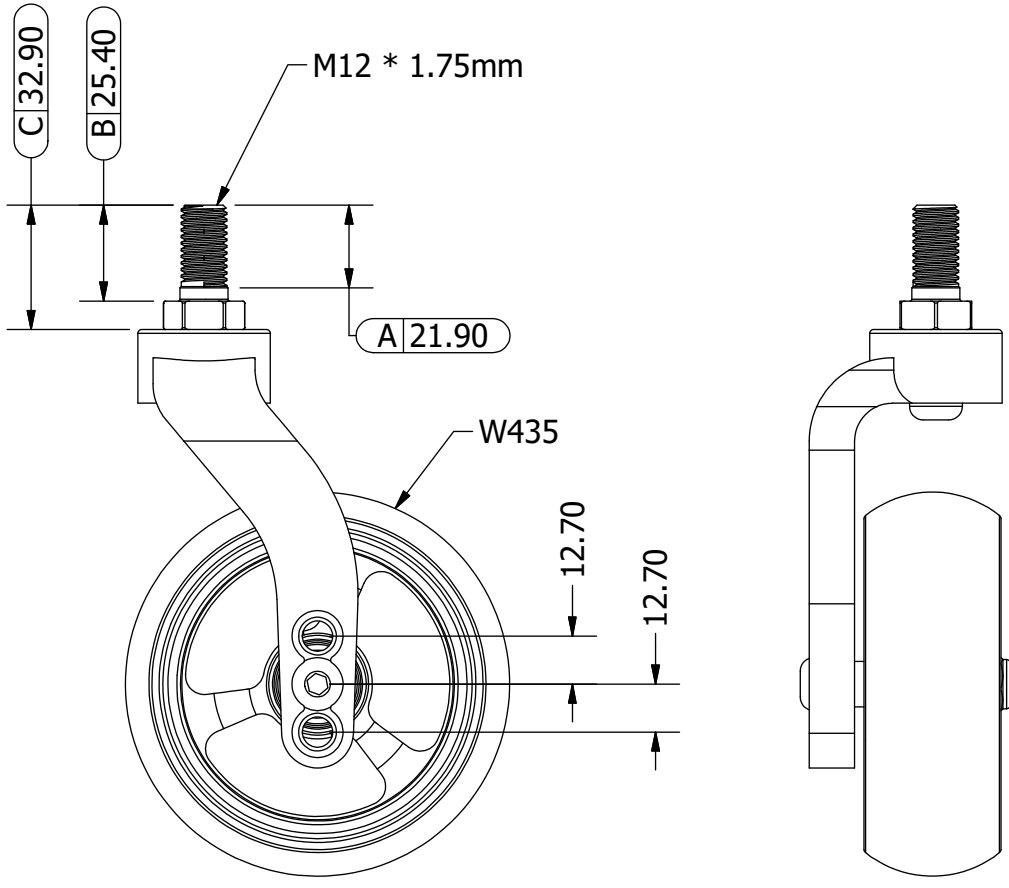




REVISION HISTORY				
ZONE	REV	DESCRIPTION	DATE	APPROVED
	1		2016/1/7	



\*1: Dimension "A", "B", "C" & Thread size can be customized.  
 \*2: All dimension in "mm".

This drawing is our property it can't be reproduced or communicated without our written agreement.		日飛騰企業有限公司		
DRAWN Marcy	2017/11/22	PROJECT NAME		
DESIGN Marcy		DWG NO RFT-ASM-FK12W435-A01.iam		
CHECK		DESCRIPTION	SIZE A4	REV
APPROVED		ERP NO:	MATERIAL	VIEW 
			SHEET 1 OF 1	

