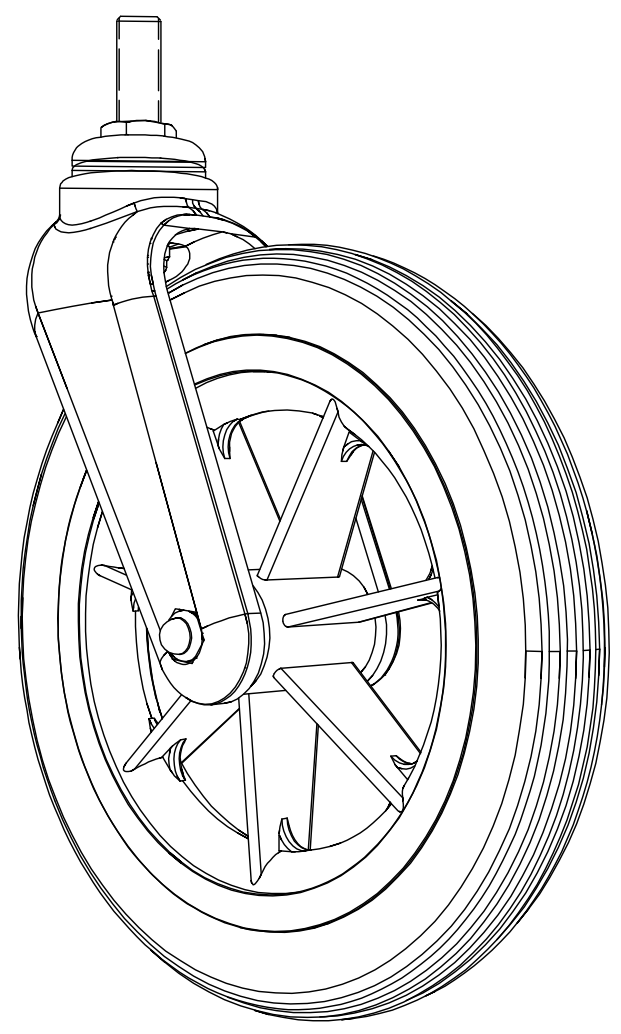
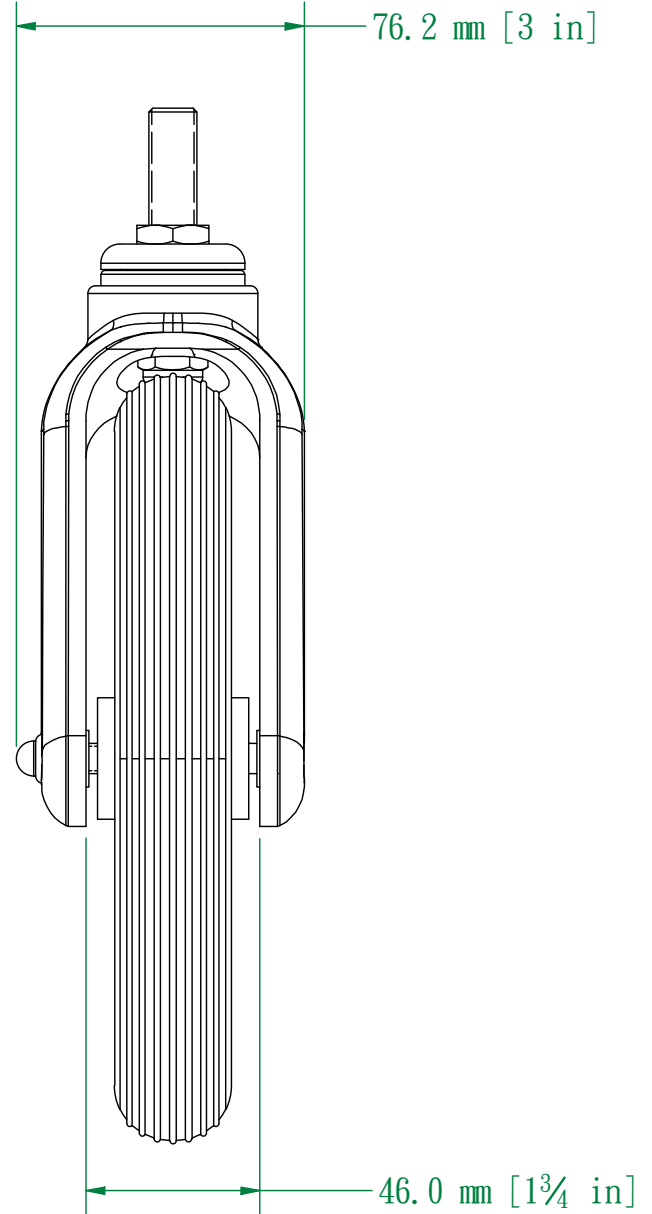
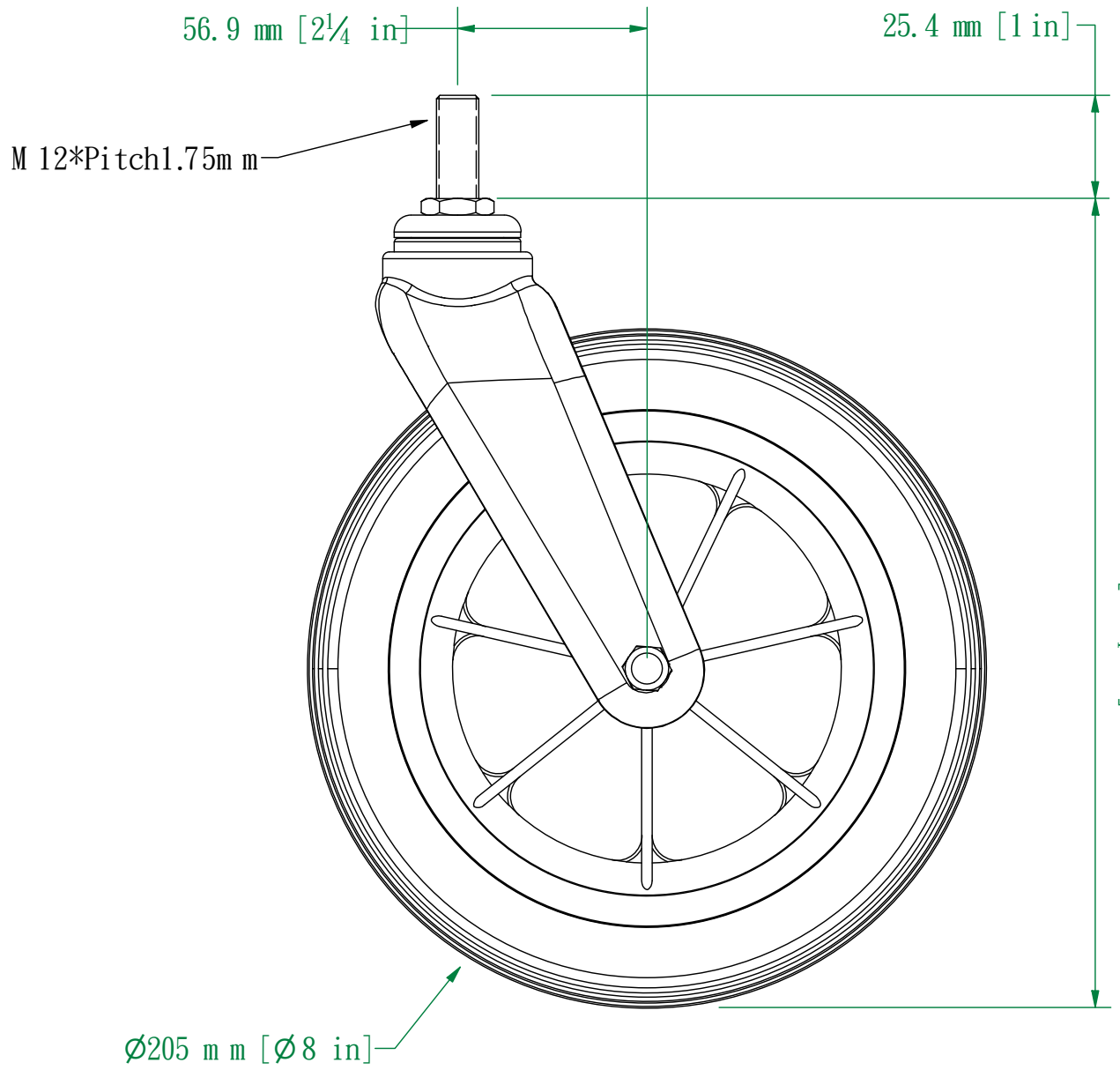
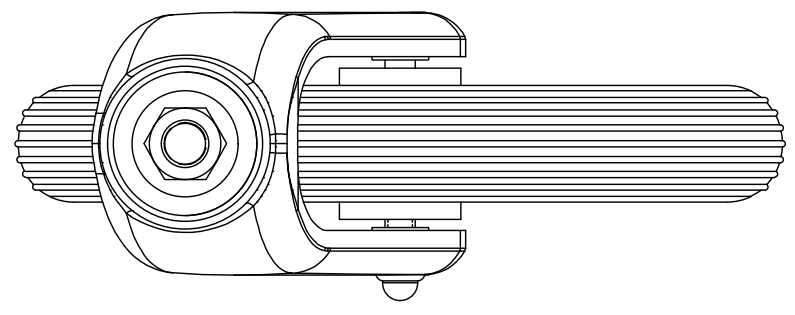
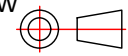


REVISION HISTORY

ZONE	REV	DESCRIPTION	DATE	APPROVED
	1		2018/6/27	



This drawing is our property it can't be reproduced or communicated without our written agreement.		日飛騰企業有限公司		
DRAWN Sonny	2018/6/30	PROJECT NAME		
DESIGN marcy		DWG NO Nylon Fork ASY Caster-A01.iam		
CHECK		DESCRIPTION		SIZE A3
APPROVED		ERP NO:	MATERIAL	VIEW 
				SHEET 5 OF 17